

Micron Commercial Fibreglass Filters

Proven Strength and Durability



Manufactured from the highest grade of non corrosive materials and employing the latest in fibreglass winding technology, Micron fibreglass filters are designed and built for many years of trouble free operation. Micron commercial fibreglass filters are available in top mount, side mount and horizontal configurations from filter areas of 0.87m² to 10.0m².

- Precision fibreglass winding
- UV and corrosion resistant
- Hydraulically balanced laterals
- Pressure rated at 250 kPa (36 psi), 400 kPa (58 psi), 600 kPa (87psi) and up to 800 kPa (116 psi)
- Optional sight glasses and lateral man holes
- Optional vinyl ester tanks for commercial / industrial applications

Micron Commercial Fibreglass Filters

Waterco's capacity for manufacturing a wide range of standard equipment as well its capability of adapting the product to customer's specifications has made Micron fibreglass vessels suitable for water theme parks, commercial swimming pools, hotel/resort pools, aquaculture, cooling towers, drinking water systems, food/beverage processing, industrial process, water features, zoos and aquariums.



Resort World - Singapore

12 x Micron MD6500 filters and 11 x Micron M5000 filters were installed to filter over 15 millions litres of water at Universal Studios Singapore.



South Australia Country Water Quality Improvement Program - South Australia, Australia

United Group Infrastructure utilised 8 x Micron SMDD2200 filters and 17 x Micron SMDD2500 filters filled with granular activated carbon to remove unwanted taste and odours in its final filtration stages.



Desalination plant - Faw region in Basrah, Iraq

40 x Waterco Micron SMD2000 filters were installed in 4 water desalination plants, constructed in the Faw region in Basrah. Each desalination plant has an output of 100m³/hr and the combined pre-filtration flow rate is approximately 1000 - 1100 m³/hr.



Ammonia removal plant - West Sussex, United Kingdom

Operating at the end of a sewage plant, Waterco custom made Lacron filters process pre-filtered water containing high levels of ammonia. Prior to the installation of the filter, the ammonia levels were far too high to allow the water company to discharge to a nearby river.





Micron fibreglass filters

Micron fibreglass filters embody the latest in fibreglass winding technology. Waterco's digitally controlled filament winding machine faultlessly winds continuous strands of high quality fibreglass filament under controlled tension to create a seamless one-piece vessel with refined consistency and superior quality. There are no welds or seams or special tank linings which can corrode or electrolyse.

Waterco's quality control procedures ensure that the structural requisites of the product are achieved at every stage of production. This results in a 100% compliance of the end product with the specifications.

The design and the manufacturing process of the whole vessel, utilising the latest filament winding machines, incorporation of non metallic fittings plus reinforced manhole openings with proprietary methods, is unique to Waterco.

Why fibreglass instead of steel?

Using non metallic components fibreglass pressure tanks are rapidly replacing steel tanks in numerous applications. Fibreglass vessels offer several advantages in comparison with steel vessels.

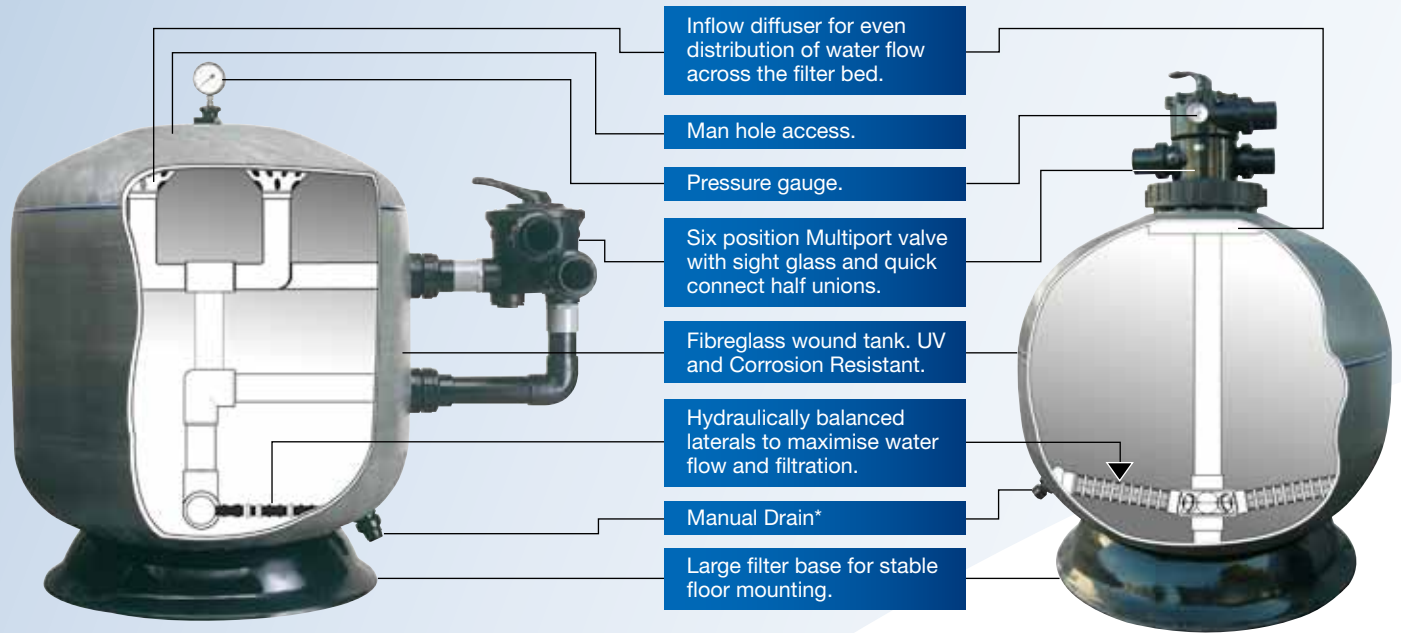
Fibreglass vessels have a superior mechanical and chemical resistance superior to steel. Fibreglass tanks do not rust or corrode and are able to withstand damage from many types of water treatment chemicals.



Fibreglass vessels weigh only 1/3 the weight of steel vessels while maintaining the same level of strength. Their weight makes them easier to ship to the job site and easier to install.

Once installed there are virtually no maintenance or repairs required. Steel vessels require the anti-corrosive coating to be maintained periodically and certified welders to make repairs to the lining with expensive epoxy coating.

Micron Top and Sidemount Fibreglass Filters



Waterco Sidemount Fibreglass

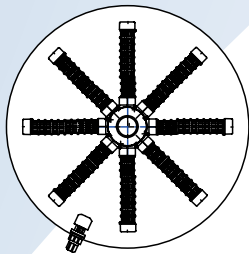
Micron Top Mount Filters

* Optional manual drain

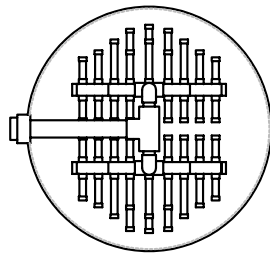
- Maximum working temperature of 50°C (122°F).
- Pressure rated at 250 kPa (36 psi), 400 kPa (58 psi), 600 kPa (87psi) and up to 800 kPa (116 psi).
- Optional fibreglass reinforced vinyl ester vessels for ozone applications are available on request.

Micron “Fish Bone” laterals

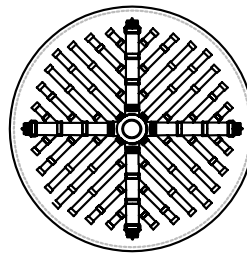
Conventional laterals are not suitable for larger sized commercial filters. “Dead legs” exist between the laterals and water flow is not optimised through the filter bed. Waterco’s “Fish Bone” lateral configuration eliminates any “dead legs” by improving water flow distribution through the filter bed.



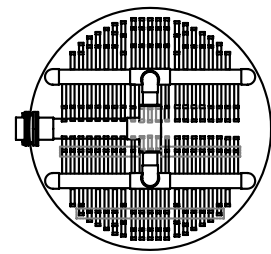
Conventional lateral configuration



Commercial vertical filters with 3” / 80mm ports



Commercial vertical filters with 2 1/2” / 65mm ports as well as the SD1200 and SD1400 with 3” / 80mm ports



Commercial vertical filters with 4”/100mm, 6”/150mm, 8”/200mm ports



Micron Top Mount Filters (S)



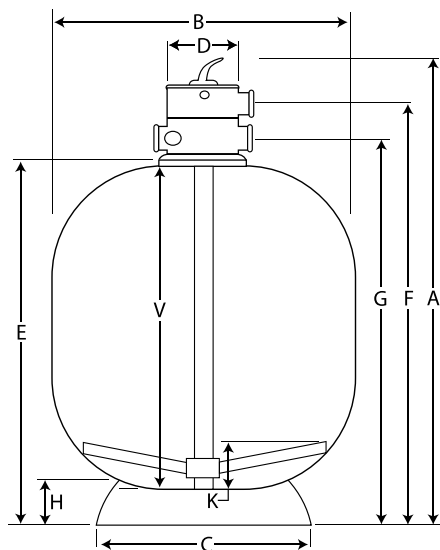
Micron Top Mount Filters (S) Specification

Filter Model	Valve Size	EU Valve Size	Bed Depth	Inner Diameter	Filter Area	Filtration Flow Rates				Backwash Flow Rates				Filter Media		
						30m ³ /hr/m ²	30m ³ /hr/m ²	36m ³ /hr/m ²	36m ³ /hr/m ²	40m ³ /hr/m ²	40m ³ /hr/m ²	50m ³ /hr/m ²	50m ³ /hr/m ²	Media	Sand	ZeoPlus
						lpm	m ³ /hr	lpm	m ³ /hr	lpm	m ³ /hr	lpm	m ³ /hr	litres	Kg	Kg
S750	50	63	340	750	0.44	221	13	265	16	295	18	368	22	178	260	214
S800	50	63	420	800	0.50	251	15	302	18	335	20	419	25	233	340	279
S900	50	63	420	900	0.64	318	19	382	23	424	25	530*	32*	322	470	386
S1000	50	63	480	1000	0.79	393	24	471	28	524*	31*	655	39	438	640	526
S1050	65	75	510	1050	0.87	433	26	520	31	577	35	722	43	503	735	604
S1200	65	75	580	1200	1.13	566	34	679	41	754	45	942*	57*	736	1075	884
S1200	80	90	580	1200	1.13	566	34	679	41	754	45	942*	57*	760	1100	912

*Waterco's recommended flow rates per port size. 50mm/63mm(EU), 510lpm, 30.6m³/hr 65mm/75mm(EU), 760lpm, 45.6m³/hr

Dimension (mm)

Model	Valve Size	EU Valve Size	A	B	C	D	E	F	G	H	V	K
	mm	mm	mm	mm	mm	mm	mm	mm	mm	mm	mm	mm
S750	50	63	1217	772	620	220	867	1037	937	90	773	127
S800	50	63	1157	810	620	220	807	977	877	90	713	111
S900	50	63	1234	910	620	220	884	1054	954	90	785	163
S1000	50	63	1384	1010	678	220	1034	1204	1104	120	888	164
S1050	65	75	1490	1077	1045	264	1090	1316	1183	176	940	163
S1200	65	75	1615	1210	1045	264	1215	1441	1308	176	1040	173
S1200	80	90	1947	1232	1045	301	1455	1675	1566	176	1200	200



Micron Top Mount Deep Bed Filters (SD)

The effect of deep media bed improves the filtration efficiency over standard high-rate filters by providing enhanced in-depth filtration and increased dirt capacity.

The filter's 500mm to 1000mm media bed ensures that finer dirt particles and colloidal substances are retained to a far greater level than a filter with a shallower bed depth.



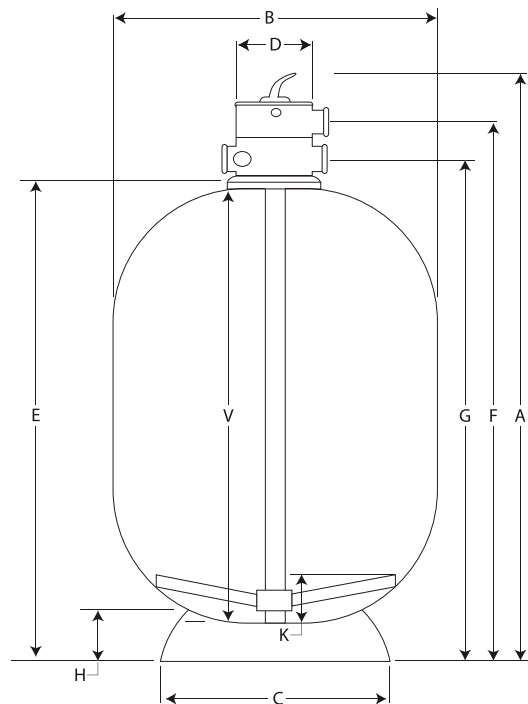
Micron Top Mount Deep Bed Filters (SD) Specification

Filter Model	Valve Size	EU Valve Size	Bed Depth	Inner Diameter	Filter Area	Filtration Flow Rates				Backwash Flow Rates				Filter Media		
						30m ³ /hr/m ²	30m ³ /hr/m ²	36m ³ /hr/m ²	36m ³ /hr/m ²	40m ³ /hr/m ²	40m ³ /hr/m ²	50m ³ /hr/m ²	50m ³ /hr/m ²	Media	Sand	ZeoPlus
	mm	mm	mm	mm	m ²	lpm	m ³ /hr	lpm	m ³ /hr	lpm	m ³ /hr	lpm	m ³ /hr	litres	Kg	Kg
SD750	50	63	500	750	0.44	221	13	265	16	295	18	368	22	247	360	296
SD900	50	63	500	900	0.64	318	19	382	23	424	25	530*	32	377	550	452
SD1200	80	90	1000	1200	1.13	566	34	679	41	754	45	943	57	1205	1760	1447
SD1400	80	90	1000	1400	1.54	770	46	924	55	1026	62	1283*	77	1623	2370	1948

*Waterco's recommended flow rates per port size. 50mm/63mm(EU), 510lpm, 30.6m³/hr 80mm/90mm(EU), 1080lpm, 64.8m³/hr

Dimension (mm)

Model	Valve Size	EU Valve Size	A	B	C	D	E	F	G	H	V	K
SD750	50	63	1320	776	678	220	970	1140	1040	120	838	125
SD900	50	63	1372	910	678	220	1022	1192	1092	120	880	172
SD1200	80	90	2118	1232	1045	301	1626	1846	1737	176	1420	200
SD1400	80	90	2142	1442	1202	301	1650	1870	1761	218	1400	200



Micron Side Mount Filters (SM)



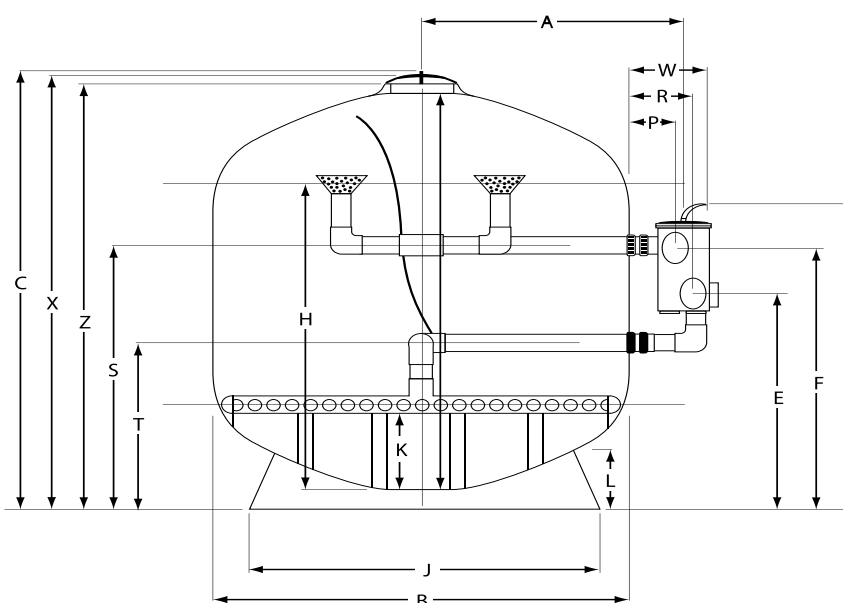
Micron Side Mount Filters (SM) Specification

Filter Model	Valve Size	EU Valve Size	Bed Depth	Inner Diameter	Filter Area	Filtration Flow Rates				Backwash Flow Rates				Filter Media		
						30m ³ /hr/m ²	30m ³ /hr/m ²	36m ³ /hr/m ²	36m ³ /hr/m ²	40m ³ /hr/m ²	40m ³ /hr/m ²	50m ³ /hr/m ²	50m ³ /hr/m ²	Media	Sand	ZeoPlus
						lpm	m ³ /hr	lpm	m ³ /hr	lpm	m ³ /hr	lpm	m ³ /hr	litres	Kg	Kg
SM750	50	63	400	750	0.44	221	13	265	16	295	18	368	22	195	285	234
SM800	50	63	410	800	0.50	251	15	302	18	335	20	419	25	233	340	279
SM900	50	63	440	900	0.64	318	19	382	23	424	25	530*	32	301	440	362
SM1050	65	75	470	1050	0.87	433	26	520	31	577	35	722	43	432	630	518
SM1200	80	90	580	1200	1.13	566	34	679	41	754	45	943	57	705	1030	847
SM1400	80	90	670	1400	1.54	770	46	924	55	1026	62	1283*	77	1130	1650	1356
SM1600	100	110	670	1600	2.01	1005	60	1206	72	1340	80	1676	101	1483	2165	1779

*Waterco's recommended flow rates per port size. 50mm/63mm(EU), 510lpm, 30.6m³/hr 80mm/90mm(EU), 1080lpm, 64.8m³/hr

Dimension (mm)

Model	Valve Size	EU Valve Size	A	B	C	W	R	P	E	F	K	V	H	L	X	Y	Z	J	S	T
SM750	50	63	613	772	976	334	262	191	541	643	113	763	652	90	943	800	870	620	541	337
SM800	50	63	638	821	1006	334	262	191	560	662	127	790	747	90	973	819	900	620	560	357
SM900	50	63	689	923	1086	334	262	191	591	693	113	860	750	90	1053	850	980	620	591	387
SM1050	65	75	796	1077	1308	389	298	193	737	863	120	1000	880	176	1223	1047	1153	1045	737	437
SM1200	80	90	970	1232	1485	537	404	300	952	1062	150	1145	982	176	1400	1296	1330	1045	952	596
SM1400	80	90	1083	1442	1608	510	363	548	998	1108	190	1217	1065	218	1523	1380	1453	1202	998	642
SM1600	100	110	1765	1644	1875	943	474	629	707	369	205	1520	1300	218	1790	707	1720	1202	1139	707



Micron Side Mount Deep Bed Filters (SMD & SMDD)

The effect of deep media bed improves the filtration efficiency over standard High-rate filters by providing enhanced in-depth filtration and increased dirt capacity. In addition, the greater bed depth permits efficient use of mixed bed filter media and water treatment media such as granular activated carbon.

The filter's 1000mm (SMD) to 1200mm (SMDD) media bed ensures that finer dirt particles and colloidal substances are retained to a far greater level than a filter with a shallower bed depth.



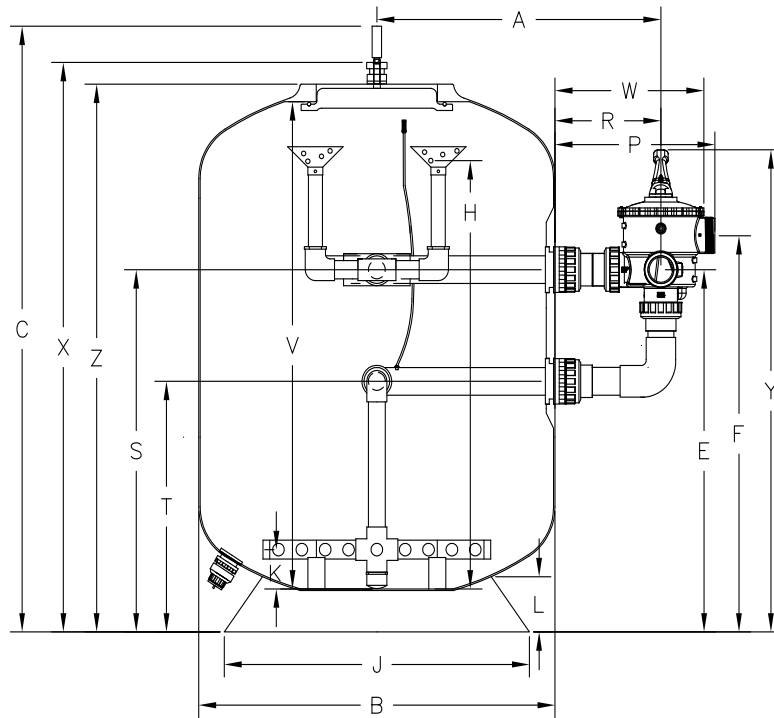
Micron SMD Specification

Filter Model	Valve Size	EU Valve Size	Bed Depth	Inner Diameter	Filter Area	Filtration Flow Rates				Backwash Flow Rates				Filter Media		
						30m³/hr/m²	30m³/hr/m²	36m³/hr/m²	36m³/hr/m²	40m³/hr/m²	40m³/hr/m²	50m³/hr/m²	50m³/hr/m²	Media	Sand	ZeoPlus
						lpm	m³/hr	lpm	m³/hr	lpm	m³/hr	lpm	m³/hr	litres	Kg	Kg
SMD750	50	63	1000	750	0.44	221	13	265	16	295	18	368	22	459	670	551
SMD900	50	63	1000	900	0.64	318	19	382	23	424	25	530*	32	658	960	789
SMD900	65	75	1000	900	0.64	318	19	382	23	424	25	530*	32	726	1060	871
SMD900	80	90	1000	900	0.64	318	19	382	23	424	25	530	32	699	1020	838
SMD1050	65	75	1000	1050	0.87	433	26	520	31	577	35	722	43	973	1420	1167
SMD1050	80	90	1000	1050	0.87	433	26	520	31	577	35	722	43	966	1410	1159
SMD1200	65	75	1000	1200	1.13	566	34	679	41	754	45	942*	57	1219	1780	1463
SMD1200	80	90	1000	1200	1.13	566	34	679	41	754	45	942	57	1175	1715	1414
SMD1200	100	110	1000	1200	1.13	566	34	679	41	754	45	942	57	1192	1740	1430
SMD1400	80	90	1000	1400	1.54	770	46	924	55	1026	62	1283*	77	1723	2515	2067
SMD1400	100	110	1000	1400	1.54	770	46	924	55	1026	62	1283	77	1637	2390	1964
SMD1600	100	110	1000	1600	2.01	1005	60	1206	72	1340	80	1676	101	2092	3055	2515
SMD1600	150	160	1000	1600	2.01	1005	60	1206	72	1340	80	1676	101	2123	3100	2548
SMD1800	100	110	1000	1800	2.54	1272	76	1527	92	1696	102	2121*	127	2880	4205	3456
SMD1800	150	160	1000	1800	2.54	1272	76	1527	92	1696	102	2121	127	2904	4240	3485
SMD2000	150	160	1000	2000	3.14	1571	94	1885	113	2094	126	2618	157	3490	5095	4188

*Waterco's recommended flow rates per port size. 50mm/63mm(EU), 510lpm, 30.6m³/hr 65mm/75mm(EU), 760lpm, 45.6m³/hr 80mm/90mm(EU), 1080lpm, 64.8m³/hr 100mm/110mm(EU), 1800lpm, 108m³/hr 150mm/160mm(EU), 3420lpm, 205.2m³/hr

Micron SMD Dimension (mm)

Model	Valve Size	EU Valve Size	A	B	C	W	R	P	E	F	K	V	H	L	X	Y	Z	J	S	T
SMD750	50	63	689	923	1762	334	262	191	1274	1376	113	1455	1363	120	1729	1533	1656	678	1274	1071
SMD900	50	63	689	923	1762	334	262	191	1274	1376	113	1455	1363	120	1729	1533	1656	678	1274	1071
SMD900	65	75	719	923	1918	389	298	193	1300	1426	223	1580	1473	120	1833	1610	1763	678	1300	1000
SMD900	80	90	824	923	1918	510	363	548	1406	1516	190	1580	1440	120	1833	1788	1763	678	1406	1050
SMD1050	65	75	796	1077	1890	389	298	193	1044	1170	220	1587	1470	176	1805	1354	1735	1045	1044	744
SMD1050	80	90	901	1077	1890	510	363	548	1100	1210	220	1587	1470	176	1805	1482	1735	1045	1100	744
SMD1200	65	75	873	1229	1905	389	298	193	1098	1224	190	1568	1440	176	1820	1408	1750	1045	1098	798
SMD1200	80	90	977	1229	1905	510	363	548	1154	1264	150	1568	1400	176	1820	1536	1750	1045	1154	798
SMD1200	100	110	1558	1229	1905	943	474	629	760	422	180	1568	1430	176	1820	760	1750	1045	1192	760
SMD1400	80	90	1083	1442	1955	510	363	548	1204	1314	250	1615	1500	218	1870	1586	1800	1202	1204	848
SMD1400	100	110	1664	1442	1955	943	474	629	810	472	200	1615	1450	218	1870	810	1800	1202	1242	810
SMD1600	100	110	1765	1644	1994	943	474	629	757	419	180	1615	1430	218	1909	757	1839	1202	1189	757
SMD1600	150	160	-	1644	1994	-	-	-	-	-	220	1615	1470	218	1909	-	1839	1202	1200	717
SMD1800	100	110	1863	1839	1985	943	474	629	751	413	300	1660	1550	315	1900	751	1830	1755	1183	751
SMD1800	150	160	-	1839	1985	-	-	-	-	-	320	1660	1570	315	1900	-	1830	1755	1168	685
SMD2000	150	160	-	2042	2063	-	-	-	-	-	300	1765	1550	245	1978	-	1908	1755	1215	732



Micron Side Mount Deep Bed Optional Extras

Waterco Micron Side Mount Deep Bed Commercial filters are now available with the option of:

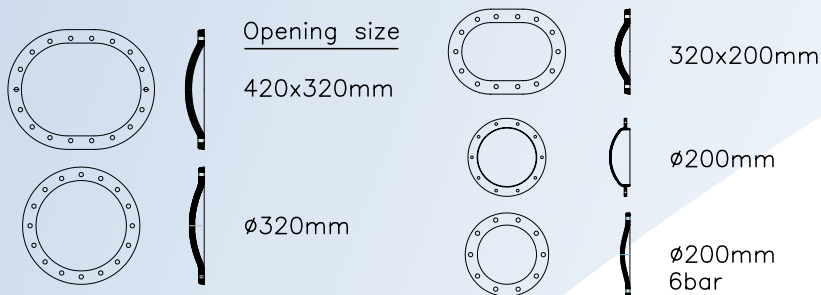
1. 50mm, 80mm or 100mm sight glasses or 150mm sight glasses.
2. 200mm, 300mm to 420mm x 320mm lateral manholes.
3. Fibreglass reinforced vinyl ester for improved resistance.
4. Extra reinforcement to increase the working pressure rating to 400 kPa (58 psi), 600 kPa (87psi) and 800 kPa (116 psi).
5. 80mm, 100mm or 150mm ANSI Flanges.



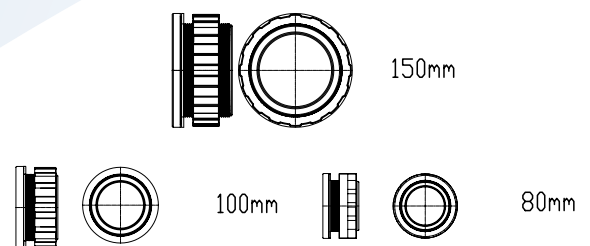
Sight glass.

Lateral man hole.

Side hatch / Lateral manhole cover



Sight Glass



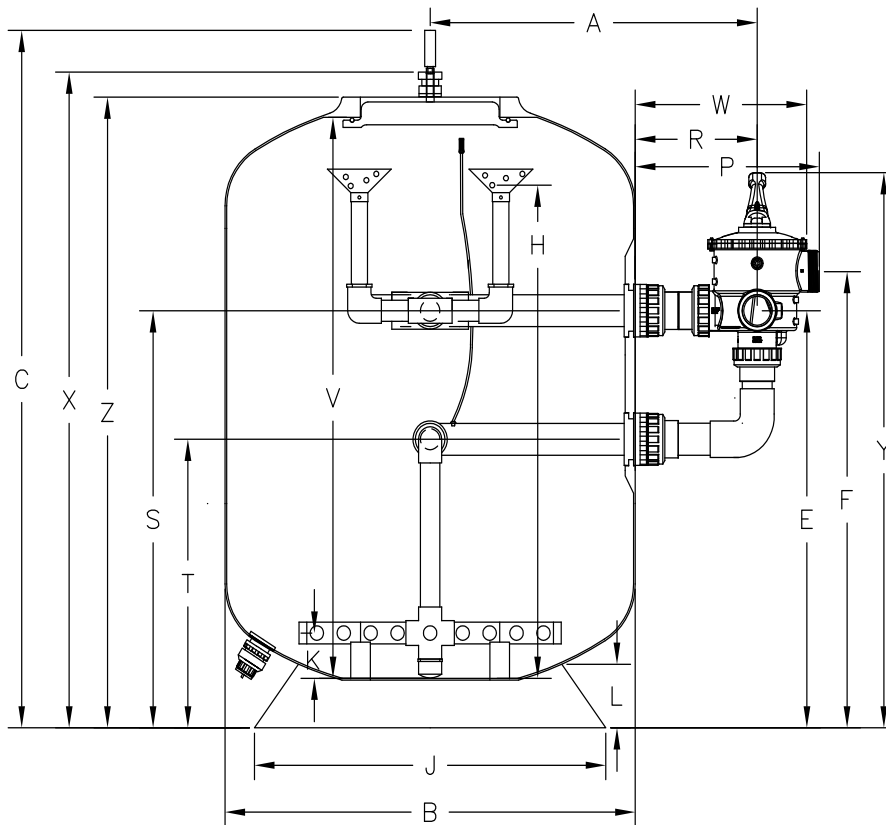
Micron SMDD Specification

Filter Model	Valve Size	EU Valve Size	Bed Depth	Inner Diameter	Filter Area	Filtration Flow Rates				Backwash Flow Rates				Filter Media		
						30m³/hr/m²	30m³/hr/m²	36m³/hr/m²	36m³/hr/m²	40m³/hr/m²	40m³/hr/m²	50m³/hr/m²	50m³/hr/m²	Media	Sand	ZeoPlus
						lpm	m³/hr	lpm	m³/hr	lpm	m³/hr	lpm	m³/hr	litres	Kg	Kg
SMDD750	50	63	1200	750	0.44	221	13	265	16	295	18	368	22	545	795	653
SMDD900	50	63	1200	900	0.64	318	19	382	23	424	25	530*	32*	784	1145	941
SMDD900	65	75	1200	900	0.64	318	19	382	23	424	25	530*	32*	784	1145	941
SMDD900	80	90	1200	900	0.64	318	19	382	23	424	25	530	32	822	1200	986
SMDD1050	65	75	1200	1050	0.87	433	26	520	31	577	35	722	43	1144	1670	1373
SMDD1050	80	90	1200	1050	0.87	433	26	520	31	577	35	722	43	1140	1665	1368
SMDD1200	65	75	1200	1200	1.13	566	34	679	41	754	45	942*	57*	1442	2105	1730
SMDD1200	80	90	1200	1200	1.13	566	34	679	41	754	45	942	57	1401	2045	1681
SMDD1200	100	110	1200	1200	1.13	566	34	679	41	754	45	942	57	1414	2065	1697
SMDD1400	80	90	1200	1400	1.54	770	46	924	55	1026	62	1283*	77*	2031	2965	2437
SMDD1400	100	110	1200	1400	1.54	770	46	924	55	1026	62	1283	77	1945	2840	2334
SMDD1600	100	110	1200	1600	2.01	1005	60	1206	72	1340	80	1676	101	2524	3685	3029
SMDD1800	100	110	1200	1800	2.54	1272	76	1527	92	1696	102	2121*	127*	3192	4660	3830
SMDD1800	150	160	1200	1800	2.54	1272	76	1527	92	1696	102	2121	127	3408	4975	4089
SMDD2000	150	160	1200	2000	3.14	1571	94	1885	113	2094	126	2618	157	4171	6090	5005
SMDD2200	150	160	1200	2200	3.80	1901	114	2281	137	2534	152	3168	190	5223	7625	6267
SMDD2350	150	160	1200	2350	4.34	2169	130	2602	156	2892	174	3614*	217*	5808	8480	6970
SMDD2500	150	160	1200	2500	4.91	2454	147	2945	177	3273	196	4091*	245*	6538	9545	7845

*Waterco's recommended flow rates per port size. 50mm/63mm(EU), 510lpm, 30.6m³/hr 65mm/75mm(EU), 760lpm, 45.6m³/hr 80mm/90mm(EU), 1080lpm, 64.8m³/hr 100mm/110mm(EU), 1800lpm, 108m³/hr 150mm/160mm(EU), 3420lpm, 205.2m³/hr

Micron SMDD Dimension (mm)

Model	Valve Size	EU Valve Size	A	B	C	W	R	P	E	F	K	V	H	L	X	Y	Z	J	S	T
SMDD750	50	63	613	772	2044	334	262	191	1586	1688	113	1780	1713	120	2011	1845	1938	678	1586	1383
SMDD900	50	63	689	923	2107	334	262	191	1619	1721	113	1800	1713	120	2074	1878	2001	735	1619	1416
SMDD900	65	75	719	923	2268	389	298	193	1624	1750	223	1930	1823	120	2183	1934	2113	735	1624	1324
SMDD900	80	90	824	923	2268	510	363	548	1680	1790	190	1930	1780	120	2183	2062	2113	735	1680	1324
SMDD1050	65	75	796	1077	2270	389	298	193	1594	1720	220	1950	1820	176	2185	1904	2115	1045	1594	1294
SMDD1050	80	90	901	1077	2270	510	363	548	1650	1760	220	1950	1820	176	2185	2032	2115	1045	1650	1294
SMDD1200	65	75	873	1229	2243	389	298	193	1609	1735	190	1900	1790	176	2158	1919	2088	1045	1609	1309
SMDD1200	80	90	977	1229	2243	510	363	548	1665	1775	150	1900	1750	176	2158	2047	2088	1045	1665	1309
SMDD1200	100	110	1558	1229	2243	943	474	629	883	545	180	1900	1780	176	2158	883	2088	1045	1315	883
SMDD1400	80	90	1083	1442	2313	510	363	548	1618	1728	250	1970	1860	218	2228	2000	2158	1202	1618	1262
SMDD1400	100	110	1664	1442	2313	943	474	629	898	560	200	1975	1800	218	2228	898	2158	1202	1330	898
SMDD1600	100	110	1765	1644	2285	943	474	629	989	651	200	1950	1800	218	2200	989	2130	1202	1421	989
SMDD1800	100	110	1863	1839	2260	943	474	629	866	528	210	2010	1810	315	2175	866	2105	1755	1298	866
SMDD1800	150	160	-	1839	2260	-	-	-	-	-	320	2010	1920	315	2175	-	2105	1755	1383	900
SMDD2000	150	160	-	2042	2398	-	-	-	-	-	320	2100	1920	245	2313	-	2243	1755	1310	827
SMDD2200	150	160	-	2245	2415	-	-	-	-	-	380	2090	1980	245	2330	-	2260	1755	1386	903
SMDD2350	150	160	-	2390	2435	-	-	-	-	-	355	2118	1955	340	2330	-	2303	2037	1500	1017
SMDD2500	150	160	-	2575	2510	-	-	-	-	-	355	2190	1955	340	2405	-	2405	2037	1494	1011

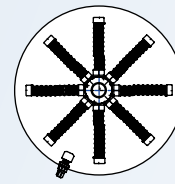


Micron SPDD Nozzle Plate Filters

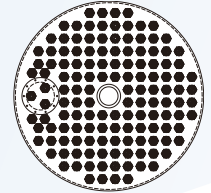
Micron SPDD filters are fitted with a plate and nozzle system, which ensures uniform flow for both filtering and backwashing, ensuring maximum performance through the media bed.



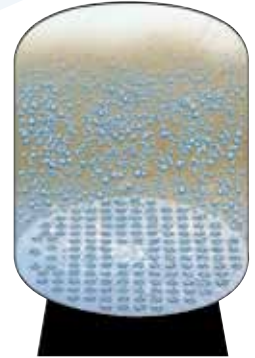
The nozzle plate system also allows the introduction of pressurised air directly into the bottom of the filter media. Uniform introduction of air and water through the nozzle plate provides vigorous agitation and filter media bed expansion required for an effective air/water backwash leading to reduced backwashing times and reduced volumes of water. **Save up to 25% of backwash water.**



Conventional lateral configuration



Nozzle plate configuration



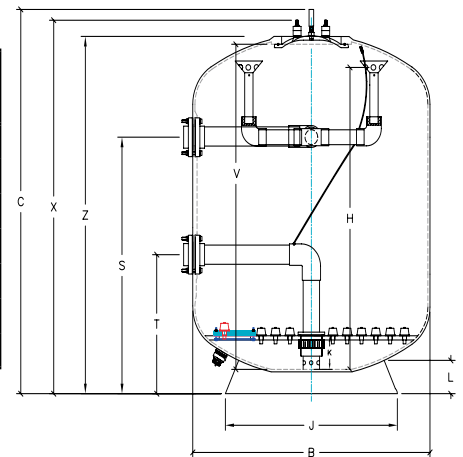
Micron SPDD Specification

Filter Model	Valve Size	EU Valve Size	Bed Depth	Inner Diameter	Filter Area	Filtration Flow Rates				Backwash Flow Rates				Filter Media		
						30m ³ /hr/m ²	30m ³ /hr/m ²	36m ³ /hr/m ²	36m ³ /hr/m ²	40m ³ /hr/m ²	40m ³ /hr/m ²	50m ³ /hr/m ²	50m ³ /hr/m ²	Media	Sand	ZeoPlus
						lpm	m ³ /hr	lpm	m ³ /hr	lpm	m ³ /hr	lpm	m ³ /hr	litres	Kg	Kg
SPDD1050	80	90	1200	1050	0.87	433	26	520	31	577	35	722	43	1017	1485	1221
SPDD1200	80	90	1200	1200	1.13	566	34	679	41	754	45	943	57	1322	1930	1586
SPDD1400	100	110	1200	1400	1.54	770	46	924	55	1026	62	1283	77	1808	2640	2170
SPDD1600	100	110	1200	1600	2.01	1005	60	1206	72	1340	80	1676	101	2366	3455	2840
SPDD1800	150	160	1200	1800	2.54	1272	76	1527	92	1696	102	2121	127	2966	4330	3559
SPDD2000	150	160	1200	2000	3.14	1571	94	1885	113	2094	126	2618	157	3671	5360	4405
SPDD2350	150	160	1200	2350	4.34	2169	130	2602	156	2892	174	3615*	217*	5089	7430	6107

*Waterco's recommended flow rates per port size. 80mm/90mm(EU), 1080lpm, 64.8m³/hr 100mm/110mm(EU), 1800lpm, 108m³/hr 150mm/160mm(EU), 3420lpm, 205.2m³/hr

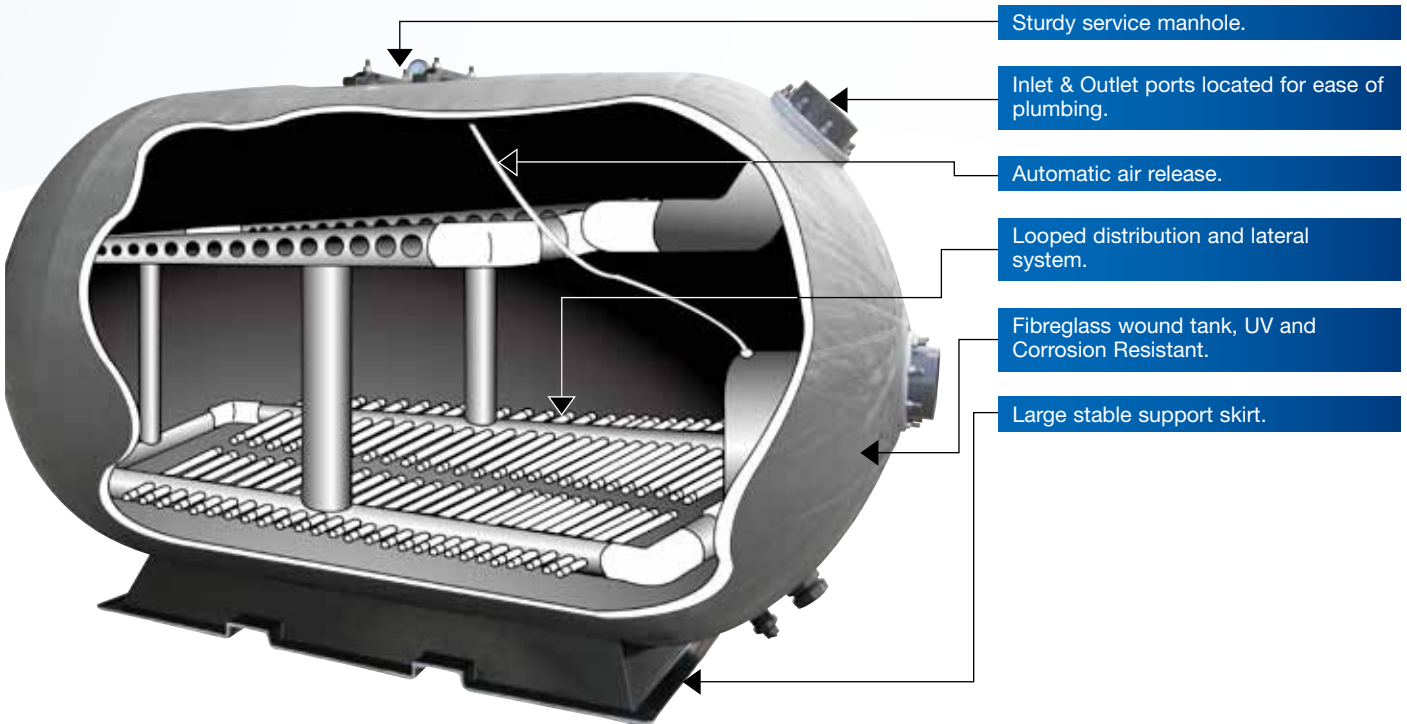
Micron SPDD Dimension (mm)

Model	Valve Size	EU Valve Size	B	C	K	V	H	L	X	Z	J	S	T
SPDD1050	80	90	1077	2270	220	1950	1820	176	2185	2115	1045	1450	750
SPDD1200	80	90	1229	2243	150	1900	1750	176	2158	2088	1045	1449	749
SPDD1400	100	110	1442	2313	200	1975	1800	218	2228	2158	1202	1514	814
SPDD1600	100	110	1644	2285	200	1950	1800	218	2200	2130	1202	1529	829
SPDD1800	150	160	1839	2260	320	2010	1920	315	2175	2105	1755	1489	789
SPDD2000	150	160	2042	2398	320	2100	1920	245	2313	2243	1755	1489	789
SPDD2350	150	160	2390	2435	355	2118	1955	340	2330	2330	2037	1550	950



Micron Horizontal Filters

The Micron Horizontal Filter is a space-saving high performer; its compact horizontal design allows installation with minimum waste of space. The shape of the Micron horizontal filter is both attractive and functional. The spherical ends are designed to give uniform flow from both inlet and outlet collection assemblies. Micron Horizontal filters are available with a 500mm (M) filter media bed and a 1200mm (MD) filter media bed.

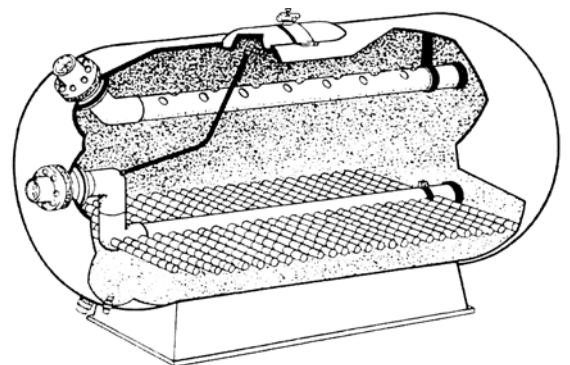


- Sturdy service manhole.
- Inlet & Outlet ports located for ease of plumbing.
- Automatic air release.
- Looped distribution and lateral system.
- Fibreglass wound tank, UV and Corrosion Resistant.
- Large stable support skirt.

Looped distribution and lateral system

Waterco has introduced a looped lateral configuration for its entire range of commercial horizontal fibreglass filters. Conventional horizontal filter lateral systems consist of straight piping fitted with laterals along the length of the horizontal filter.

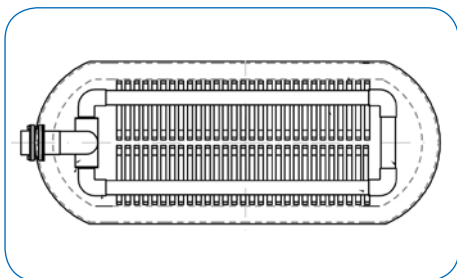
A conventional lateral system results in uneven fluidisation of the filter media bed. The beginning of the lateral system experiences a strong flow of water, which gradually decreases along the length of the lateral piping. Backwash flow also decreases towards the end of each lateral, resulting in non-uniform lifting of the filter media bed.



Conventional horizontal filter lateral configuration

Waterco has vastly improved the hydraulic efficiency its horizontal filter lateral system by looping its horizontal filter's distributors and laterals. The new lateral configuration provides a more natural flow of water through the filter, ensures optimum water filtration and balanced fluidisation of the filter bed during backwashing. Its individual laterals are shortened while maintaining filter media bed coverage, reducing the friction head loss of each lateral, further improving the filter's hydraulic efficiency.

Waterco's looped lateral system reduces backwash run times, saves water and produces flatter more uniform filter media bed after backwashing.



Looped lateral system - Top view



Looped lateral system - Inside view

Micron Horizontal Filters (M) Specification

Filter Model	Valve Size	EU Valve Size	Bed Depth	Inner Diameter	Filter Area	Filtration Flow Rates				Backwash Flow Rates				Filter Media		
						30m ³ /hr/m ²	30m ³ /hr/m ²	36m ³ /hr/m ²	36m ³ /hr/m ²	40m ³ /hr/m ²	40m ³ /hr/m ²	50m ³ /hr/m ²	50m ³ /hr/m ²	Media	Sand	ZeoPlus
						lpm	m ³ /hr	lpm	m ³ /hr	lpm	m ³ /hr	lpm	m ³ /hr	litres	Kg	Kg
M2500	100	110	500	1480	2.50	1250	75	1500	90	1667	100	2083	125	1452	2120	1742
M3750	150	160	500	1485	3.75	1875	113	2250	135	2500	150	3125	188	2370	3460	2844
M5000	150	160	500	1486	5.00	2500	150	3000	180	3333	200	4167	250	3190	2660	3830

Micron Horizontal Filters (M) Dimension (mm)

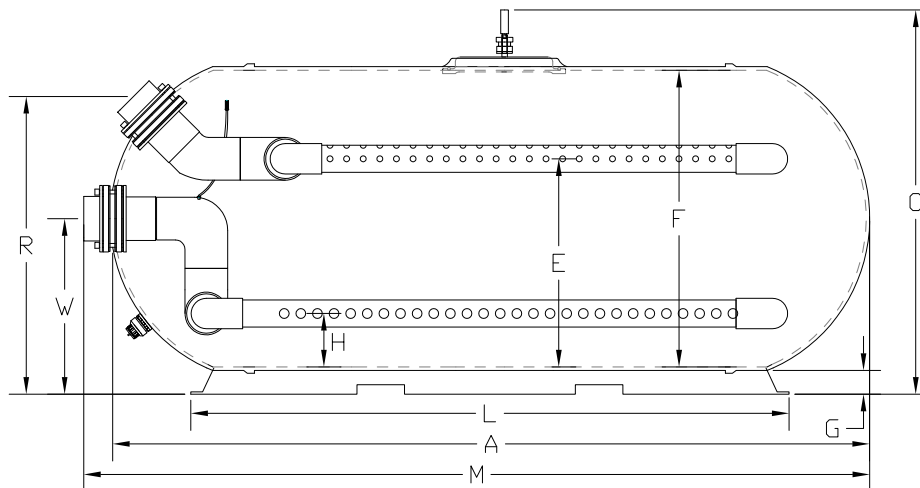
Model	Valve Size	EU Valve Size	A	B	C	W	R	L	E	F	G	H	M
M2500	100	110	2245	1260	1620	740	1320	1400	1005	1260	150	255	2327
M3750	100	110	3230	1265	1620	740	1320	2520	1005	1260	150	255	3312
M3750	150	160	3230	1265	1620	740	1320	2520	945	1260	150	275	3312
M5000	150	160	4220	1270	1620	740	1320	3570	945	1260	150	275	4301

Micron Horizontal Deep Bed Filters (MD)

Filter Model	Valve Size	EU Valve Size	Bed Depth	Inner Diameter	Filter Area	Filtration Flow Rates				Backwash Flow Rates				Filter Media		
						30m ³ /hr/m ²	30m ³ /hr/m ²	36m ³ /hr/m ²	36m ³ /hr/m ²	40m ³ /hr/m ²	40m ³ /hr/m ²	50m ³ /hr/m ²	50m ³ /hr/m ²	Media	Sand	ZeoPlus
						lpm	m ³ /hr	lpm	m ³ /hr	lpm	m ³ /hr	lpm	m ³ /hr	litres	Kg	Kg
MD6500	200	210	1200	2244	6.50	3250	195	3900	234	4333	260	5417	325	7548	11020	9058
MD8000	200	210	1200	2173	8.00	4000	240	4800	288	5333	320	6667	400	9795	14300	11753
MD10000	250	260	1200	2173	10.00	5000	300	6000	360	6667	400	8334	500	12115	12116	14540

Micron Horizontal Filters (MD) Dimension (mm)

Model	Valve Size	EU Valve Size	A	B	C	W	R	L	E	F	G	H	M
MD6500	200	210	3765	2000	2260	1120	2066	2405	1890	2000	230	240	3900
MD8000	200	210	4516	2000	2260	1120	2066	3155	1906	2000	230	306	4690
MD10000	250	260	5580	2000	2260	1120	2032	4055	1883	2000	230	283	5730

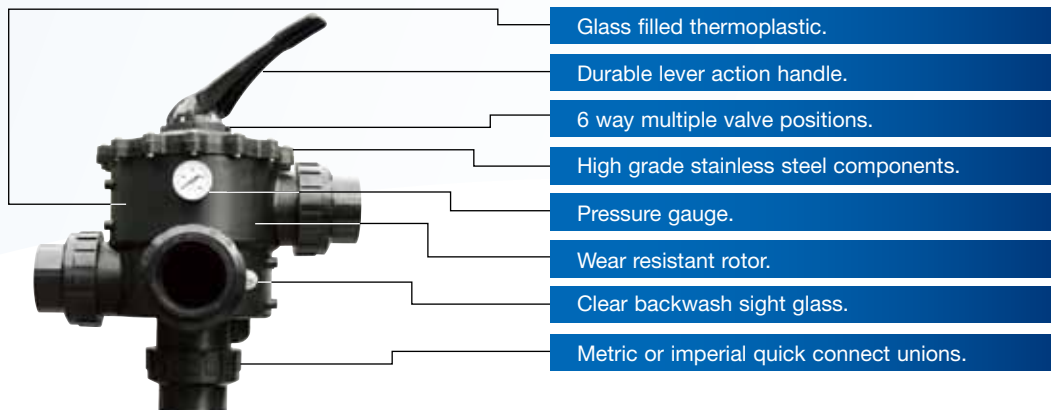


Warranty

Waterco is proud to show its ultimate confidence in its range of commercial fibreglass filters by offering a 5 year (1 year full + 4 year pro rata) tank warranty for commercial installations.

Waterco Multiport Valves

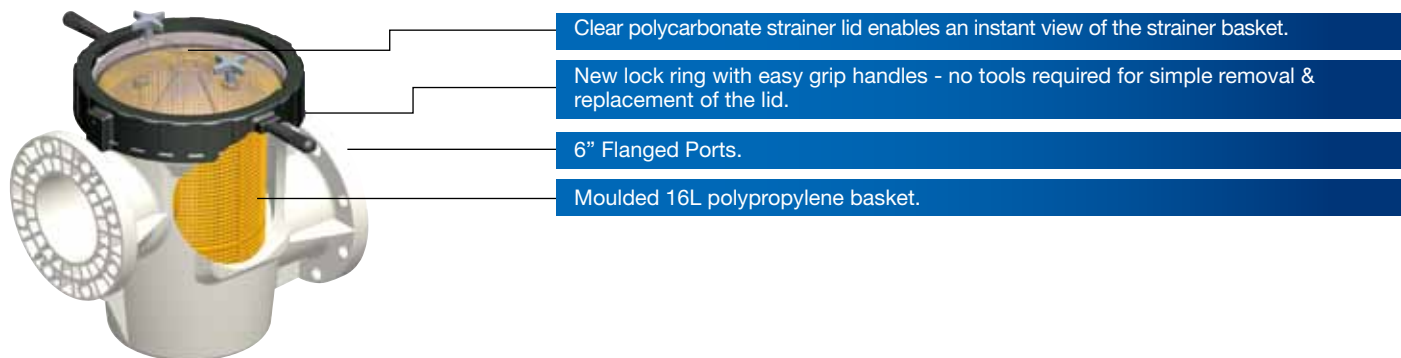
Constructed from heavy duty ABS and GFPP, Waterco Multiport valves are designed for maximum performance and working pressures. Waterco's entire range of Multiport valves are engineered to withstand a working pressure of up to 400 kPa (58 psi) with a test pressure of 600 kPa (87 psi).



Waterco MPV's are available in 40mm / 50mm (EU) / 1 1/2", 50mm / 63mm (EU) / 2", 65mm / 75mm (EU) / 2 1/2", 80mm / 90mm (EU) / 3" and 100mm / 110mm (EU) / 4"

Hydro Commercial Strainer

Constructed from composite materials, the Hydro Commercial Strainer is a totally non corrosive strainer, designed for aquatic facilities, water parks and large commercial swimming pools.



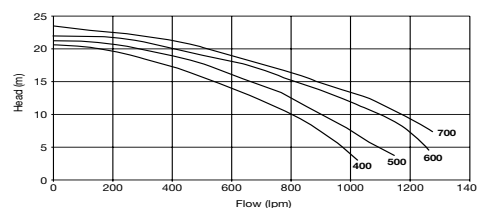
Waterco Commercial Pumps

Waterco commercial pumps incorporate the latest technology in design and construction to produce a high performance, energy saving pump ideal for any situation that demands maximum output.

Hydrostar Pump



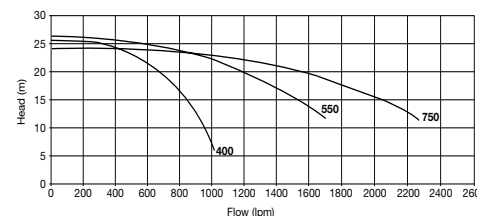
Hydrostar MKIII pumps efficiently deliver high flow rates and incorporate an innovative quarter lid & lock ring assembly for easy maintenance.



Hydrosteel Pump



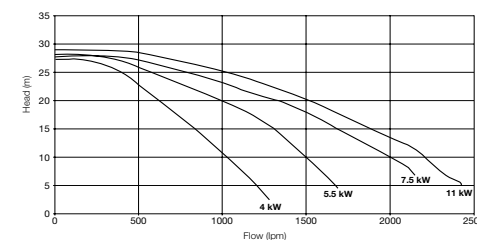
Hydrosteel pumps are the first hybrid of its kind; the pre-strainer is constructed from glass filled thermoplastic, while its impeller and volute are constructed from 316 grade stainless steel.



Hydro5000 Pump



The Hydro5000 pump is a high performance, self priming pump, designed for aquatic facilities, water parks and large commercial swimming pools. Hydro5000 commercial pump incorporates a reinforced thermoplastic strainer housing for significant weight reduction and improved corrosion resistance.





Established since 1981, Waterco is an Australian public listed company involved in the manufacture and distribution of:

- Swimming pool/spa equipment and chemicals
- Domestic water filters, softeners and purifiers
- Commercial and Industrial water treatment equipment.

Waterco's research & development team has created an innovative range of award winning products.

The company's advanced fibreglass winding and pioneering plastic moulding techniques have delivered premium quality products to over 40 countries via its branches operating in Australia, New Zealand, Malaysia, China, the United Kingdom, United States of America, Canada, Indonesia and Singapore.



OFFICES - AUSTRALIA

NSW - Sydney (Head Office)
Tel: +61 2 9898 8600
QLD - Brisbane
Tel: +61 7 3299 9900
VIC/TAS - Melbourne
Tel: +61 3 9764 1211
WA - Perth
Tel: +61 8 9273 1900
SA/NT - Adelaide
Tel: +61 8 8244 6000
ACT Distribution
Tel: +61 2 6280 6476

OFFICES - OVERSEAS

Waterco (Europe) Limited
Sittingbourne, Kent. UK
Tel: +44 (0) 1795 521 733
Waterco (USA) Inc
Augusta, Georgia, USA
Tel: +1 706 793 7291
Waterco Canada
St Hyacinthe, Quebec, Canada
Tel: +1 450 796 1421
Waterco (NZ) Limited
Auckland, New Zealand
Tel: +64 9 525 7570

Waterco (C) Limited
Guangzhou, China
Tel: +86 20 3222 2180

Waterco (Far East) Sdn Bhd
Selangor, Malaysia
Tel: +60 3 6145 6000

PT Waterco Indonesia
Jakarta, Indonesia
Tel: +62 21 4585 1481

Waterco Singapore Intl Pte Ltd
Nehsons Building, Singapore
Tel: +65 6344 2378

DISTRIBUTED BY:

